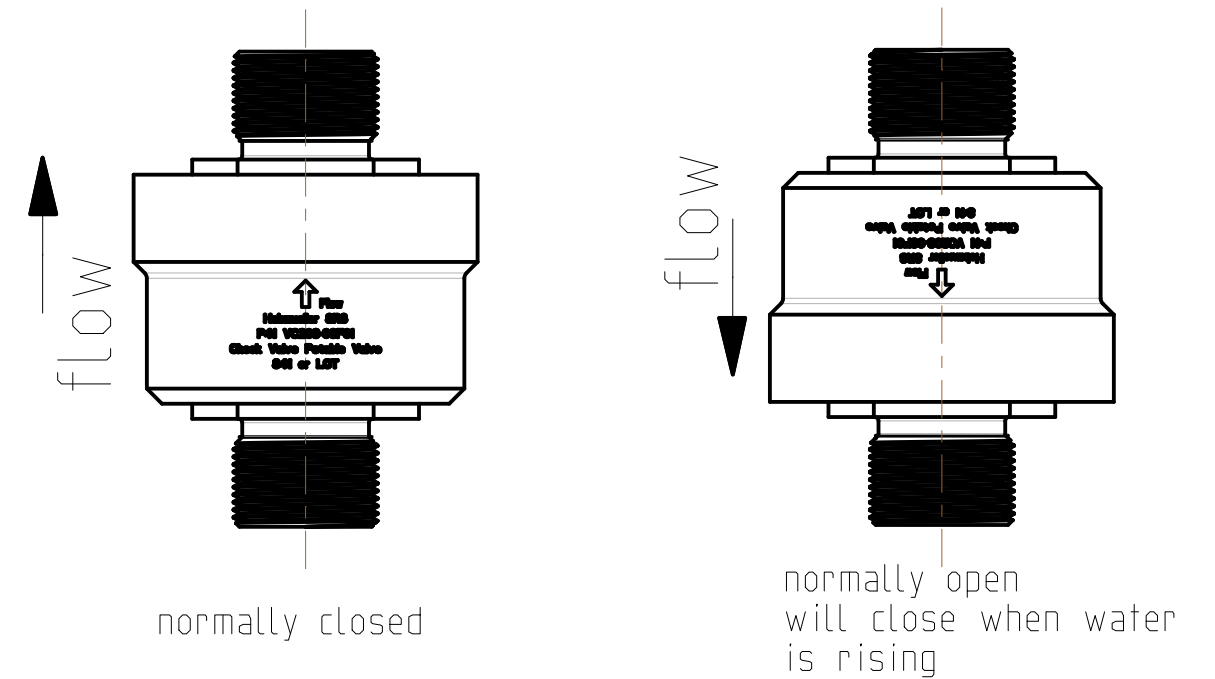
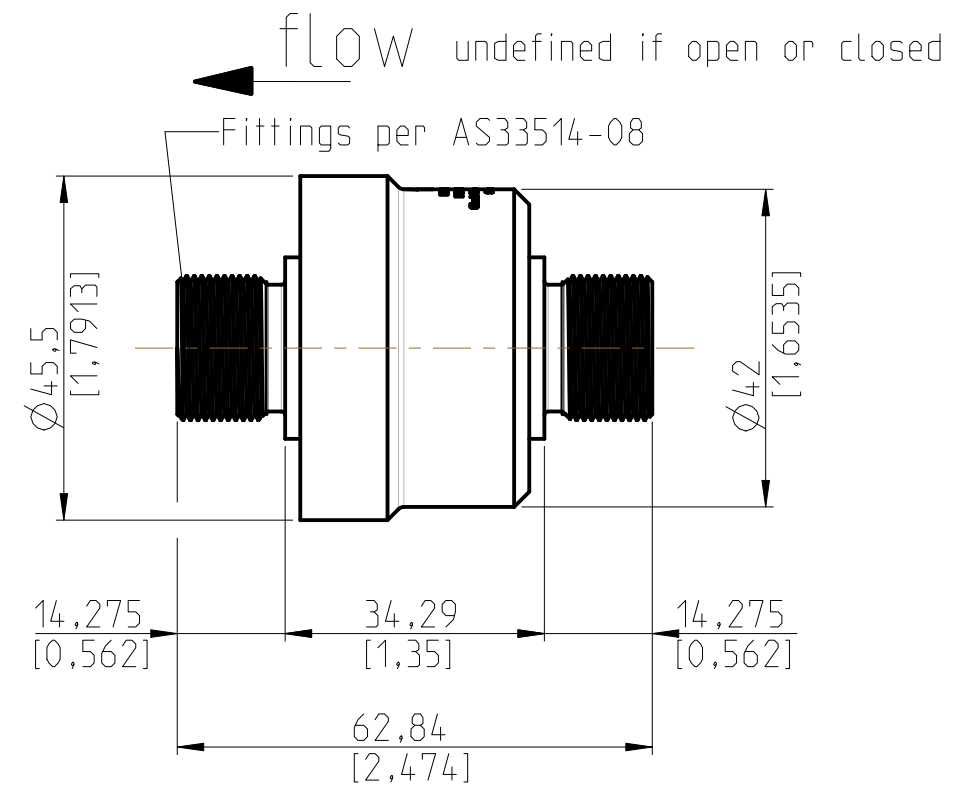


NOTES:

1. FLUID MEDIA: POTABLE WATER
2. PRESSURE RATING: c
 OPERATING, 40 PSI
 OPERATING, 125 PSI MAX
 PROOF, 188 PSI
 BURST, 250 PSI MIN
 (OPTIONAL NEGATIV PROOF PRESSURE = -0.975bar (-14.14PSI) e)
3. TEMPERATURE RANGE: d
 OPERATING, +32'F TO + 212'F (0 °C to +100 °C)
 STORAGE, -65'F TO + 212'F (-54 °C to +100 °C)
4. OPENING PRESSURE: $>0 \pm 0.05$ PSIG IN DIRECTION OF FLOW
 CLOSING PRESSURE: $<0.2 \pm 0.05$ PSIG AGAINST DIRECTION OF FLOW
5. LEAKAGE: 10 CC/MIN MAX INTERNAL AND ZERO EXTERNAL
6. MATERIAL: SEALS, EPDM TO NSF 61
 POPPET, UHMWPE TO FDA 21 CFR177.1520
 ALL OTHER = 300 SERIES CRES, PASSIVATED
7. LUBRICATE SEALS NOT NECESSARY d OR USE KRYTOX 240 AC
 OR PARKER SUPER O-LUBE ONLY
8. WEGHT: 0.45 LBS MAX d
11. ELECTRO ETCH "Flow" 2 PLACES 180 DEGREES APART AND:
 HEBMUELLER SRS TECHNIK
 CHECK VALVE
 POTABLE WATER
 P/N VC203-08F01
 S/N: _____



Als Betriebsgeheimnis anvertraut.
 Alle Rechte vorbehalten.
 PROPRIETARY DATA. COMPANY CONFIDENTIAL.
 ALL RIGHTS RESERVED

Dateiname des Zeichnungsobjektes: VC203-08F01_REV-E				Dateityp: ASSEM		Dateiname der Zeichnung: VC203-08F01_REV-E	
200114				Allgemeintol. Tolerances DIN ISO 2768 mittel/middle		Oberfläche Surface DIN ISO 1302	
				Datum/DATE		Name	
				Bearb. Drawn		30.08.12 Otterb.	
				Gepr. CHECK		30.08.12 Otterbein	
e		1 x	07.06.13	Otter.	Norm	-	
d		2 X	23.05.13	Otter.			
c		3 x	22.04.13	Otter.			
b		spring guided	21.02.13	Otter.			
a		poppet design	06.11.12	Otter.			
Zust. Index				Aenderung/Change		Datum/Date	
				Name			
						Benennung/TITLE	
						Check Valve (spring inside VC203-08F01	
						HEBMÜLLER SRS TECHNIK GmbH	
						Kaarster Str. 250 41462 Neuss	
						Blatt 1 2 Bl.	
						Ers. fuer/SUBST. FOR :	
						Ers. d./SUBST. FOR :	