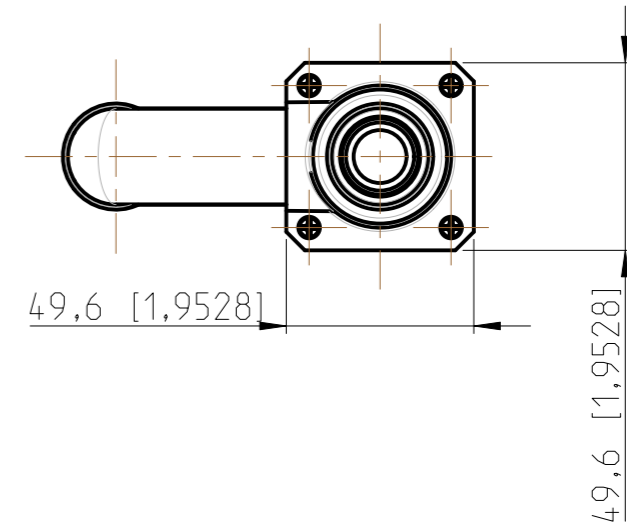
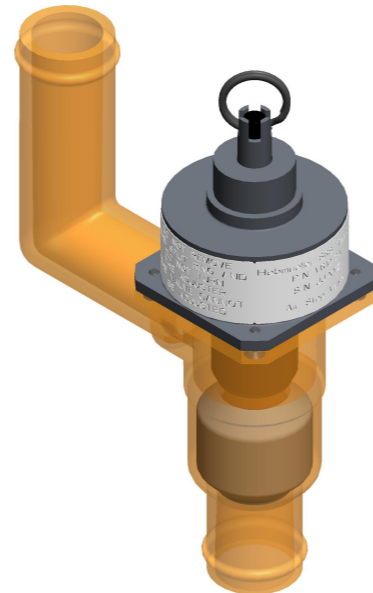


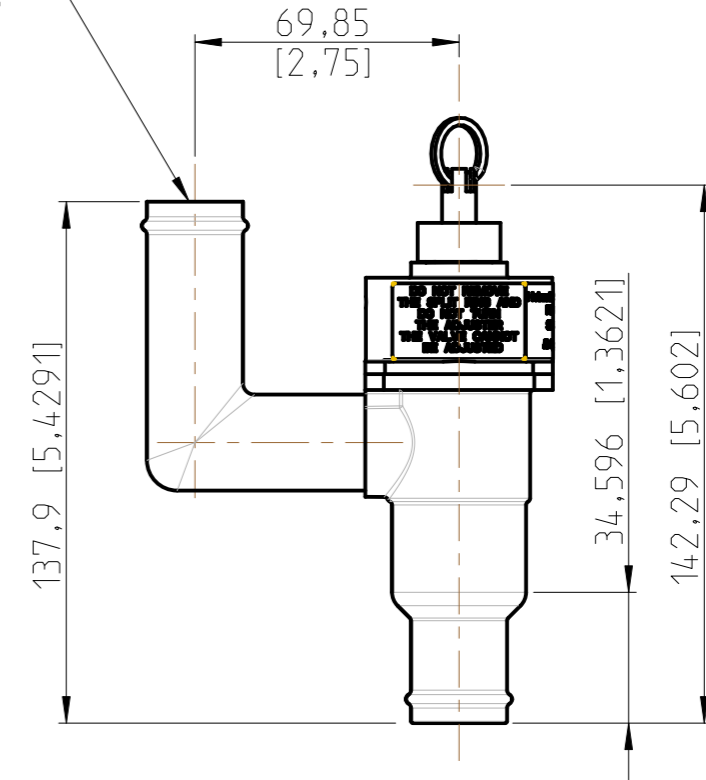
Als Betriebsgeheimnis anvertraut.
 Alle Rechte vorbehalten.
 PROPRIETARY DATA. COMPANY CONFIDENTIAL.
 ALL RIGHTS RESERVED

NOTES:

1. FLUID MEDIA: WASTE WATER
2. PRESSURE RATING: OPERATING, -690 mbar MAX
 PROOF, 975 mbar
 BURST, 1303 mbar MIN
3. TEMPERATURE RANGE: OPERATING, +1 °C TO +70 °C
 STORAGE, -55°C TO + 85°C
4. CRACK PRESSURE: 400 mm W.C. (+/- 15%)
 AT -600 mbar VACUUM AT OUTLET
5. LEAKAGE: EXTERNAL=0, INTERNAL = 0
 AT -138 mbar to -975 mbar VACUUM AT OUTLET
 AND 400 mm W.C. HEAD AT INLET
6. FLOW RATE = 5 L/M @ 400 mm W.C. INLET
 AT 0 mbar TO -672 mbar VACUUM AT OUTLET
7. MATERIAL: CAP, NUT & ADJUSTER = ALUMINUM ALLOY TYPE II ANODIZED,
 SEALS & DIAPHRAGM = NBR,
 HOUSING, INLET & OUTLET = ULTEM 1000.
 ALL INTERNAL PARTS = ACETAL
8. WEIGHT = 0.25 Kg MAX
9. MANUAL PULL RING = 10 MM OPENING
 PULL FORCE <75N DIRECT ON THE PULL RING
10. A BACKFLOW CHECK VALVE IS INCORPORATED IN THE
 ASSEMBLY OUTLET FITTING. 0 LEAKAGE FROM 5 mbar
 TO 700 mbar
11. MARKING: Hebmüller SRS Technik GmbH
 AIR STOP VALVE
 VR10-3A
 S/N.....
12. FOR VALVE INSTALLATION PLEASE ATTEND
 TO DOCUMENT "VR10-3A_MOUNT_INSTRUCTION"
13. THE VALVE IS ABLE TO LET PASS PARTICLES
 WITH A SIZE OF 2MM MAX. THE INNER SURFACES
 ARE DESIGNED FOR WASTE WATER



FITTING END PER
 AS5131-16 2 PLS



Dateiname des Zeichnungsobjektes: VR10-3A-REV-G0				Dateityp: ASSEM		Dateiname der Zeichnung: VR10-3A-REV-G0	
Part-No / DRW-No 200131 VR10-3A				Allgemeintol. Tolerances DIN ISO 2768 mittel/middle		Oberfläche Surface DIN ISO 1302	
				Massstab/SCALE 1:2		Gewicht/WEIGHT 0,153	
				Werkstoff/MATERIAL: -		Halbzeug: -	
g0	alternative housing	03.05.15	Otterb.	Datum/DATE	Name	Benennung/TITLE	
g	updated notes	05.06.13	Otterb.	Bearb. Drawn	07.07.09 Otterbein	AIR STOP VALVE	
f	add note 12, 13 + Pos 27	14.08.12	Otterb.	Gepr. CHECK	08.07.09 Heb Müller	VR10-3A	
e	updated notes	20.02.12	Otterb.	Norm	-		
d	housing molded Ultem1000	17.10.11	Otterb.				
c	updated notes	13.09.11	Otterb.				
b	note 6	12.08.09	Otterb.				
a	revised outside envelope	12.08.09	Otterb.				
Zust. Index	Aenderung/Change	Datum/Date	Name			HEBMÜLLER SRS TECHNIK GmbH Broicherseite 17 41564 Kaarst	
						Ers. fuer/SUBST. FOR :	
						Blatt 1 3 Bl.	