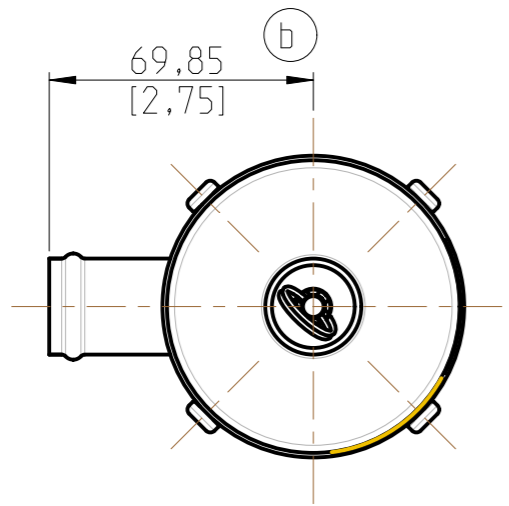
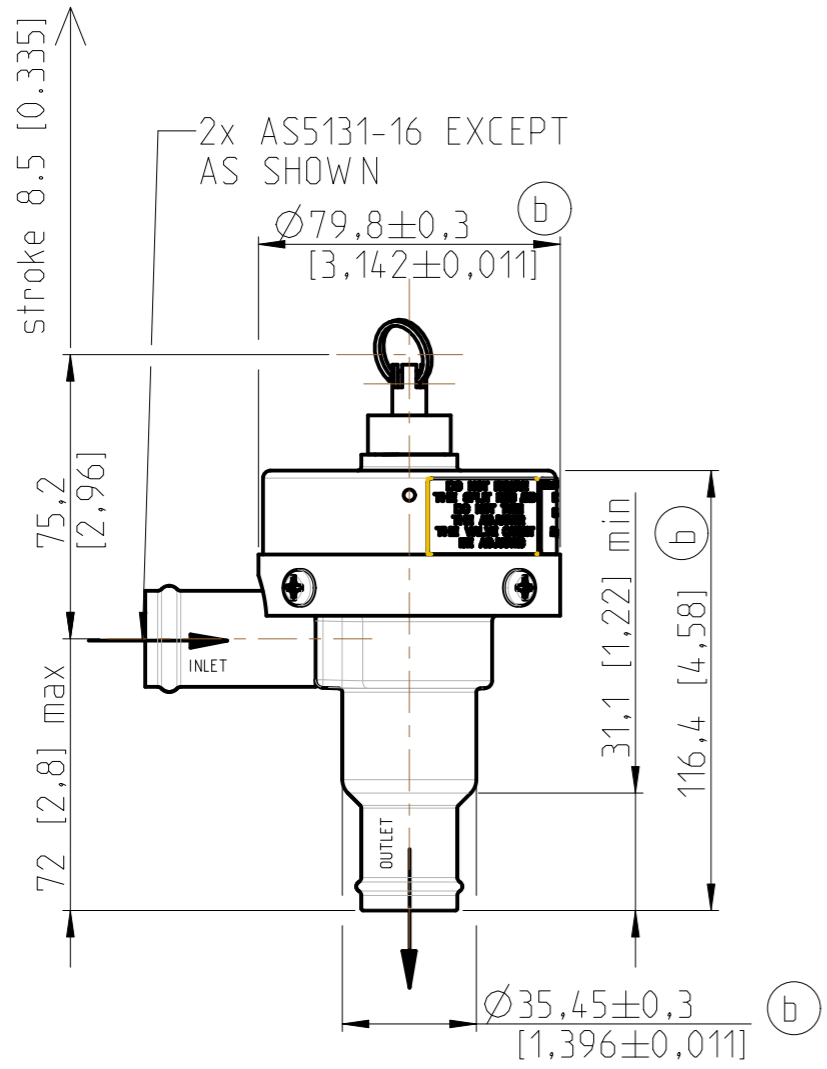


Als Betriebsgeheimnis anvertraut.
 Alle Rechte vorbehalten.
 PROPRIETARY DATA. COMPANY CONFIDENTIAL.
 ALL RIGHTS RESERVED



NOTES:

1. FLUID MEDIA: WASTE WATER
2. PRESSURE RATING: PROOF = -11.8 PSI (-814 mbar) and 14.1 PSI (972 mbar) c
 BURST = -14.7 PSI (- 1.014 mbar) and 18.9 PSI (1.303 bar min.) b
 CLOSING = MAX. AT - 2 PSI (-138 mbar) b
3. TEMPERATURE RANGE: OPERATING, 1 °C TO +85 °C
 NON OPERATING = - 55 °C TO + 85°C
4. FLOW RATE = 1.0 GPM (3.8 L/Min) AT HEAD OF 8 inches (203 mm) b
 ABOVE THE INLET WITH 0 to -10 PSI (0 TO -0.690 bar) b
 AT OUTLET
5. LEAKAGE: EXTERNAL=0 AT 15.75 inches (400 mm) WATER COLUMN HEAD AT INLET (OUTLET BLOCKED) b
 INTERNAL = 0 AT 0.0725 PSI (5 mbar) AIR VACUUM AT OUTLET AND 5.9inch (150mm) WATER COLUMN HEAD AT INLET b
6. MATERIAL: CAP, NUT & ADJUSTER = ALUMINUM ALLOY TYPE II ANODIZED;
 SEALS & DIAPHRAGM = NBR;
 HOUSING, INLET & OUTLET = ULTEM 1000.
 ALL INTERNAL PARTS =DELTRIN ACETAL (Black POM)
7. FOR INFORMATION ONLY: LUBRICATE SEALS WITH DC III (Dow Corning) OR EQUAL b
8. FOR INFORMATION ONLY: APPLY APPROPRIATE THREAD LOCKING COMPOUND TO THREADED FASTENERS LOCTITE 290 and 480
9. WEIGHT = 0.53 lb MAX (0.240 Kg MAX) b c
10. MANUAL PULL RING = 8.5 mm STROKE OPENING;
 MAX. OPERATING FORCE OF 2 LBS (8.9N) WITH AN AIR VACUUM OF -0.295 PSI (-20.4 mbar) AT OUTLET b c
11. A BACKFLOW CHECK VALVE IS INCORPORATED IN THE ASSEMBLY OUTLET FITTING. 0 LEAKAGE FROM 5 mbar TO 700 mbar AT THE OUTLET b
12. LABEL MARKING: SEE ON PAGE 3 b
13. COMMERCIAL PARTS POS: 10, 16, 17, 18, 19, 25 c

Dateiname des Zeichnungsobjektes: 200125_REV-C1		Dateityp: ASSEM	Dateiname der Zeichnung: 200125_REV-C1	
Part-No / DRW-No 200125 200125_REV-C1		Allgemeintol. Tolerances DIN ISO 2768 mittel/middle	Oberfläche Surface DIN ISO 1302	Massstab/SCALE 1:2 Gewicht/WEIGHT 0,216
		Bearb. Drawn 11/04/11	Name R.W ilhelm	Benennung/TITLE AIR STOP VALVE VR10-17
		Gepr. CHECK 08/17/12	Offterb.	
		Norm		
c1	see change note page 3	01/15/16	Offterb.	
c	3X	01/14/13	Offterb.	
b	overworked	01/03/13	Offterb.	
a	commercial parts marked	12/04/12	Offterb.	
Zust. Index	Aenderung/Change	Datum/Date	Name	
			HEBMÜLLER SRS TECHNIK GmbH Broicherseite 17 41564 Kaarst	
			Blatt 1 3 Bl.	
			Ers. fuer/SUBST. FOR :	
			Ers. d./SUBST. FOR :	