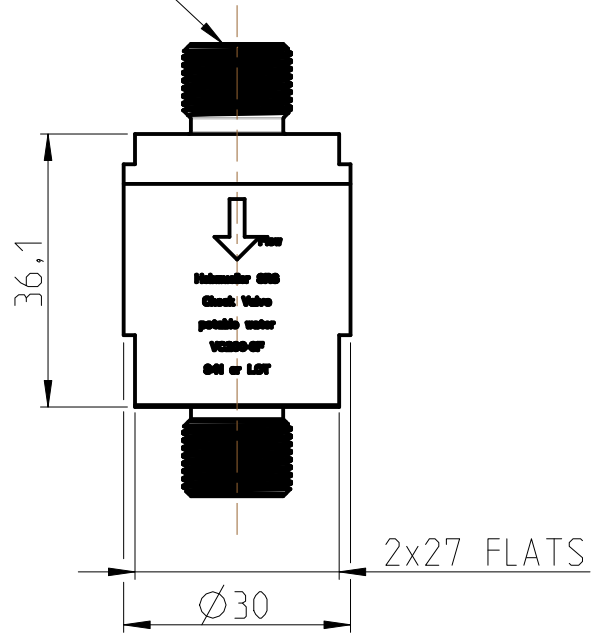



Als Betriebsgeheimnis anvertraut.
 Alle Rechte vorbehalten.
 PROPRIETARY DATA - COMPANY CONFIDENTIAL.
 ALL RIGHTS RESERVED

FITTING END PER AS33514-06 2PLS



NOTES:

1. FLUID MEDIA: POTABLE WATER
2. TEMPERATURE RANGE: OPERATING, +0 °C TO + 100 °C
STORAGE= -55 °C TO 85 °C
3. PRESSURE RATING: OPERATING, 0 TO 8.7 BAR
PROOF= 13 BAR
BURST= 17 BAR
4. EXTERNAL LEAKAGE=0
5. INTERNAL LEAKAGE=0 FROM 0 BAR TO 17 BAR
6. MATERIALS: FLOAT = TPX (POLYMETHYLPENTENE)
O-RINGS= EPDM TO NSF61
ALL OTHER PARTS= 303 CRES,
PASSIVATED
7. WEIGHT: 131 GRAMS MAX
8. ELECTRO ETCH "FLOW" 2 PLACES 180 DEGREES APART AND:
HEBMÜLLER SRS TECHNIK
CHECK VALVE
POTABLE WATER
P/N VC200-6F
S/N: _____

Part-No / DRW-No 210030 VC200-6F		Allgemeintol. Tolerances DIN ISO 2768 mittel/middle		Oberfläche Surface DIN ISO 1302 ⊕ ⊖		Massstab/SCALE 1:1		Gewicht/WEIGHT 0.132	
		Datum/DATE		Name		Werkstoff/MATERIAL: Halbzeug:			
		Bearb. Drawn		28.01.08		Otterbein		Benennung/TITLE	
		Gepr. CHECK		29.01.09		Förster		CHECK VALVE VC200-6F POTABLE WATER	
		Norm							
b notes has been changed		22.10.15		Otterb.		 HEBMÜLLER SRS TECHNIK GmbH Broicherseite 17 41564 Kaarst		Blatt 1	
a changed view		05.07.12		Otterb.				2 Bl.	
Zust. Index		Aenderung/Change		Datum/Date		Name		Ers. fuer/SUBST. FOR :	
								Ers. d./SUBST. FOR :	