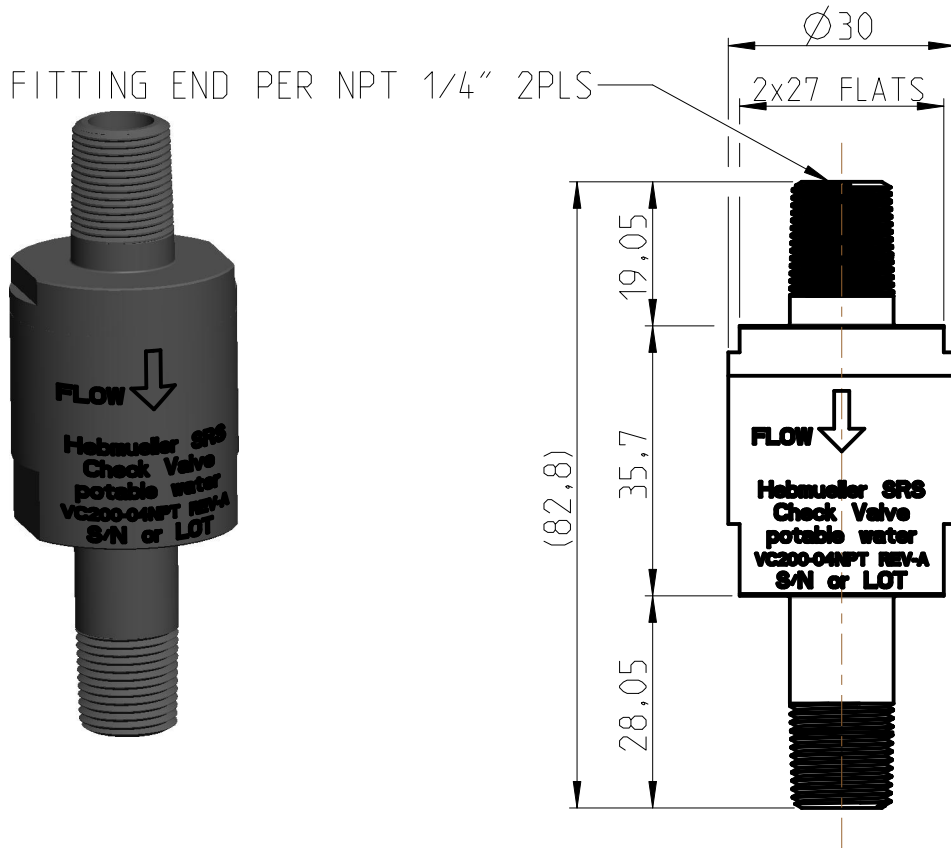


Als Betriebsgeheimnis anvertraut.  
 Alle Rechte vorbehalten.  
 PROPRIETARY DATA - COMPANY CONFIDENTIAL.  
 ALL RIGHTS RESERVED



NOTES:

1. FLUID MEDIA: POTABLE WATER
2. TEMPERATURE RANGE: OPERATING, +0 °C TO + 100 °C  
 STORAGE= -55 °C TO 85 °C
3. PRESSURE RATING: OPERATING, 0 TO 8.7 BAR  
 PROOF= 13 BAR  
 BURST= 17 BAR
4. EXTERNAL LEAKAGE=0
5. INTERNAL LEAKAGE=0 FROM 0 BAR TO 17 BAR
6. MATERIALS: FLOAT = TPX (POLYMETHYLPENTENE)  
 O-RINGS= EPDM TO NSF61  
 ALL OTHER PARTS= 303 CRES,  
 PASSIVATED
7. WEIGHT: 160 GRAMS MAX
8. FLOW RATE: VALVE WILL STAY OPEN WITH AN AIR FLOW  
 RATE OF 0.018 CUBIC METERS/MIN; VALVE WILL CLOSE  
 WHEN WATER RISE TO THE FLOAT LEVEL
9. ELECTRO ETCH "FLOW" 2 PLACES 180 DEGREES APART AND:  
 HEBMÜLLER SRS TECHNIK  
 CHECK VALVE  
 POTABLE WATER  
 P/N VCS00-04NPT REV-A  
 S/N:-----

Part-No / DRW-No 210065 210065 REV-A		Allgemeintol. Tolerances DIN ISO 2768 mittel/middle		Oberfläche Surface DIN ISO 1302 ⊕ ⊖		Massstab/SCALE 1:1		Gewicht/WEIGHT 0.147	
		Datum/DATE		Name		Benennung/TITLE			
		Bearb. Drawn		27.06.12		Otterb.		CHECK VALVE VC200-04NPT POTABLE WATER	
		Gepr. CHECK		27.06.12		Otterbein			
		Norm							
a see change note		05.11.15		Otterb.		HEBMÜLLER SRS TECHNIK GmbH Broicherseite 17 41564 Kaarst		Blatt 1	
Zust. Index		Aenderung/Change		Datum/Date				Name	
								Ers. fuer/SUBST. FOR :	
								Ers. d./SUBST. FOR :	