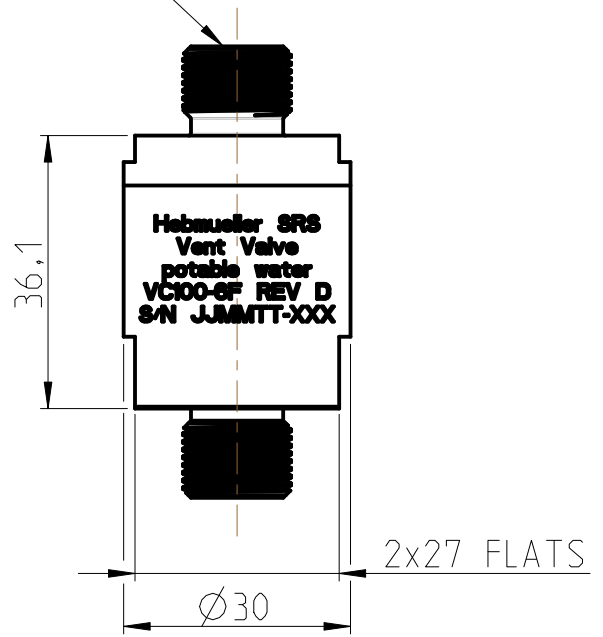
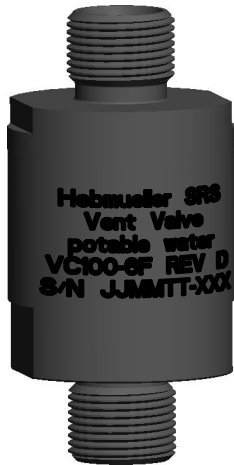



Als Betriebsgeheimnis anvertraut.  
 Alle Rechte vorbehalten.  
 PROPRIETARY DATA - COMPANY CONFIDENTIAL.  
 ALL RIGHTS RESERVED

FITTING END PER AS33514-06 2PLS



NOTES:

1. FLUID MEDIA: POTABLE WATER
2. TEMPERATURE RANGE: OPERATING, +0 °C TO + 100 °C  
 STORAGE= -55 °C TO 85 °C
3. PRESSURE RATING: OPERATING, 0 TO 8.7 BAR  
 PROOF= 13 BAR  
 BURST= 17 BAR
4. EXTERNAL LEAKAGE=0
5. INTERNAL LEAKAGE=0 FROM 0 BAR TO 17 BAR
6. MATERIALS: FLOAT = TPX (POLYMETHYLPENTENE)  
 O-RINGS= EPDM TO NSF61  
 ALL OTHER PARTS= 303 CRES,  
 PASSIVATED
7. WEIGHT: 131 GRAMS MAX
8. FLOW RATE: VALVE WILL STAY OPEN WITH AN AIR FLOW  
 RATE OF 0.018 CUBIC METERS/MIN: VALVE WILL CLOSE  
 WHEN WATER RISE TO THE FLOAT LEVEL
9. ELECTRO ETCH "UP" 2 PLACES 180 DEGREES APART AND:  
 HEBMÜLLER SRS TECHNIK  
 VENT VALVE  
 POTABLE WATER  
 P/N VC100-6F REV-D  
 S/N:-----

Part-No / DRW-No 210025D HEBVC100-6F REV. D		Allgemeintol. Tolerances DIN ISO 2768 mittel/middle		Oberfläche Surface DIN ISO 1302 ⊥ ⊙		Massstab/SCALE 1:1		Gewicht/WEIGHT 0.131	
		Datum/DATE		Name		Benennung/TITLE			
		Bearb. Drawn		14.04.08		Otterbein		VENT VALVE VC100-6F REV D POTABLE WATER	
		Gepr. CHECK		15.04.08		Förster			
		Norm							
d	description page 2	06.02.15	Otterb						
c	float 210052	26.02.14	Otterb						
b	notes has been changed	30.04.13	Otterb						
a	revised	04.10.12	W i						
Zust. Index	Aenderung/Change	Datum/Date	Name						
						HEBMÜLLER SRS TECHNIK GmbH		Blatt 1	
						Broicherseite 17 41564 Kaarst		2 Bl.	
Ers. fuer/SUBST. FOR :						Ers. d./SUBST. FOR :			