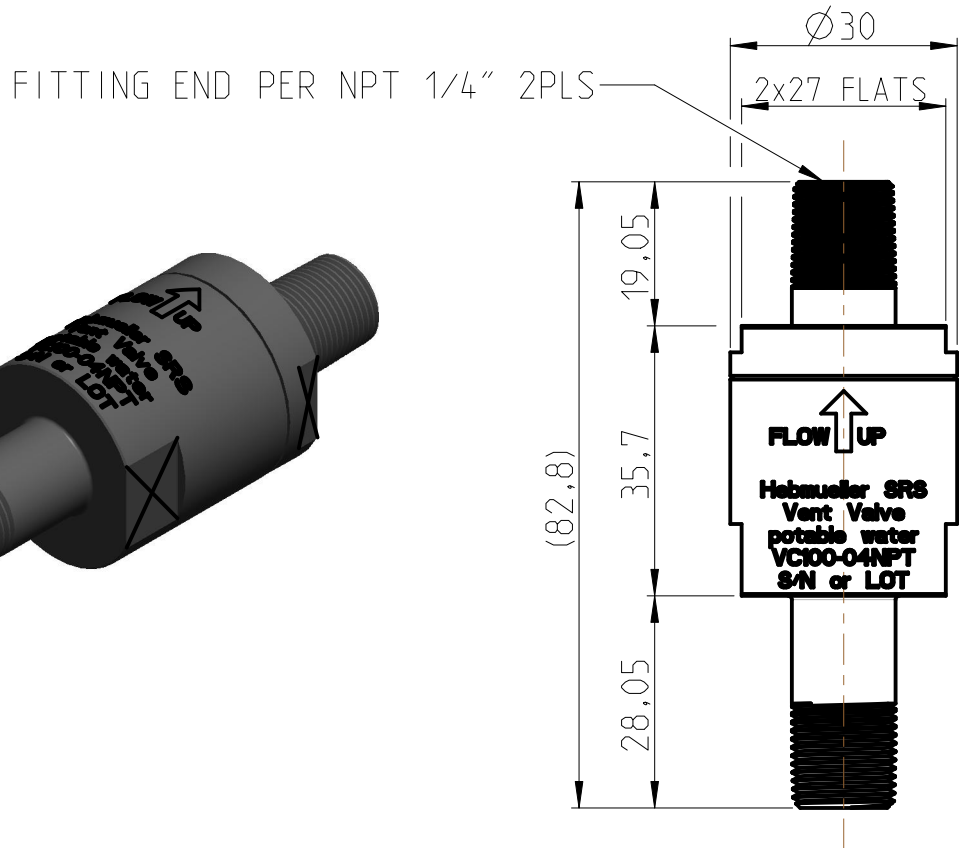


Als Betriebsgeheimnis anvertraut.  
 Alle Rechte vorbehalten.  
 PROPRIETARY DATA - COMPANY CONFIDENTIAL.  
 ALL RIGHTS RESERVED

A  
 B  
 C  
 D  
 E



NOTES:

1. FLUID MEDIA: POTABLE WATER
2. TEMPERATURE RANGE: OPERATING, +0 °C TO + 100 °C  
 STORAGE= -55 °C TO 85 °C
3. PRESSURE RATING: OPERATING, 0 TO 8.7 BAR  
 PROOF= 13 BAR  
 BURST= 17 BAR
4. EXTERNAL LEAKAGE=0
5. INTERNAL LEAKAGE=0 FROM 0 BAR TO 17 BAR
6. MATERIALS: FLOAT = TPX (POLYMETHYLPENTENE)  
 O-RINGS= EPDM TO NSF61  
 ALL OTHER PARTS= 303 CRES,  
 PASSIVATED
7. WEIGHT: 160 GRAMS MAX
8. FLOW RATE: VALVE WILL STAY OPEN WITH AN AIR FLOW  
 RATE OF 0.018 CUBIC METERS/MIN; VALVE WILL CLOSE  
 WHEN WATER RISE TO THE FLOAT LEVEL
9. ELECTRO ETCH "UP" 2 PLACES 180 DEGREES APART AND:  
 HEBMUELLER SRS TECHNIK  
 VENT VALVE  
 POTABLE WATER  
 P/N VC100-04NPT  
 S/N:-----

210060B		Allgemeintol. Tolerances DIN ISO 2768 mittel/middle		Oberfläche Surface DIN ISO 1302		Massstab/SCALE 1:1		Gewicht/WEIGHT 0,148	
		Bearb. Drawn 10/22/10		Name Otterbein		Werkstoff/MATERIAL: *		Benennung/TITLE	
		Gepr. CHECK 10/23/10		Ott.		Halbzeug:		VENT VALVE VC100-04NPT POTABLE WATER	
		Norm							
c	2 X	06.12.13	Otter.			HEBMÜLLER SRS TECHNIK GmbH Kaarster Str. 250 41462 Neuss		Blatt 1	
b	prototype	20.08.13	Ott.					2 Bl.	
a	changed views	05.07.12	Ott.						
Zust. Index	Aenderung/Change	Datum/Date	Name	Ers. fuer/SUBST. FOR :		Ers. d./SUBST. FOR :			