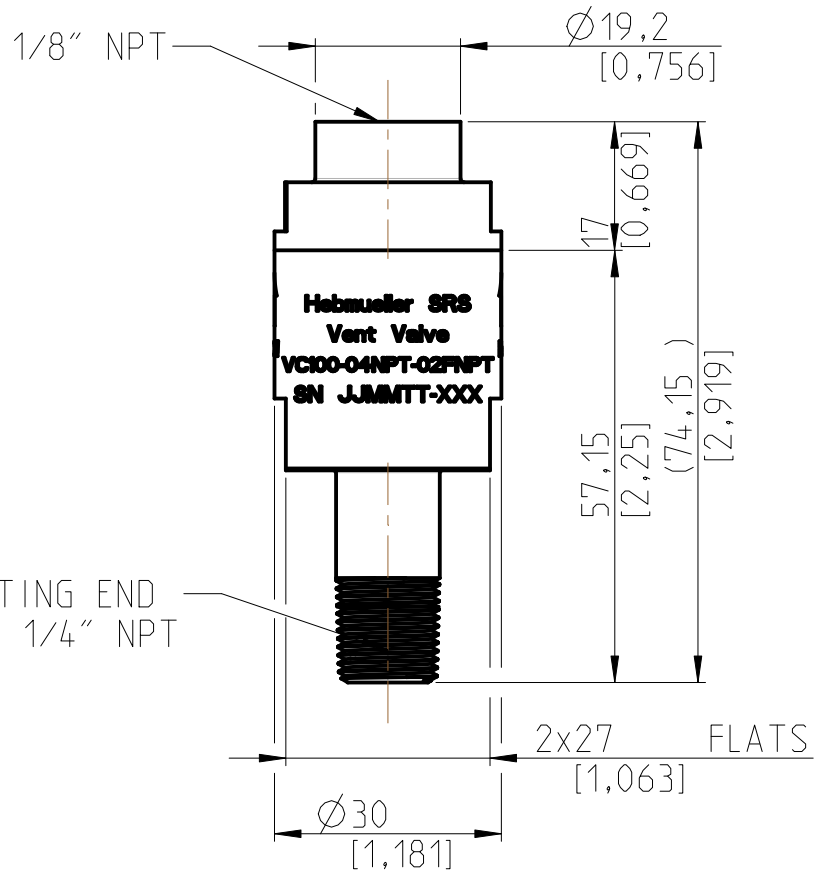


Als Betriebsgeheimnis anvertraut.
 Alle Rechte vorbehalten.
 PROPRIETARY DATA - COMPANY CONFIDENTIAL.
 ALL RIGHTS RESERVED



NOTES:

1. FLUID MEDIA: POTABLE WATER
2. PRESSURE RATING: OPERATING, 0 TO 8.7 BAR
3. TEMPERATURE RANGE: OPERATING, +0 °C TO + 100 °C
4. EXTERNAL LEAKAGE=0
5. INTERNAL LEAKAGE=0 FROM 0.05 BAR TO 3.5 BAR with WATER
6. MATERIALS: -30 ADAPTER = ULTEM 1000 or TPX
 O-RINGS = EPDM TO NSF61
 -10/20 HOUSINGS = 303 CRES, PASSIVATED
7. WEIGHT: 0.18 kg
8. VALVE ASSEMBLY MUST BE MOUNTED VERTICALLY WITHIN ±10° FOR PROPER OPERATION
9. LABEL DATA: 2 FLOW ARROWS 180° APART AND
 HEBMÜLLER SRS
 VENT VALVE
 VC100-04NPT-02FNPT
 S/N JJM TT-XXX

Part-No / DRW-No 210090 HEBV100-04NPT-02FNPT		Allgemeintol. Tolerances DIN ISO 2768 mittel/middle		Oberfläche Surface DIN ISO 1302 ⊖ ⊕		Massstab/SCALE 1:1		Gewicht/WEIGHT 0,168	
		Datum/DATE		Name		Werkstoff/MATERIAL: -		Benennung/TITLE	
		Bearb. Drawn		17.10.2016		Otterbein		VC100-04NPT-02FNPT	
		Gepr. CHECK		17.10.2016		-		VENT VALVE POTABLE WATER	
		Norm		-		-		HEBMÜLLER SRS TECHNIK GmbH	
								Blatt 1	
								2 Bl.	
Zust. Index		Änderung/Change		Datum/Date		Name		Ers. fuer/SUBST. FOR :	
								Ers. d./SUBST. FOR :	